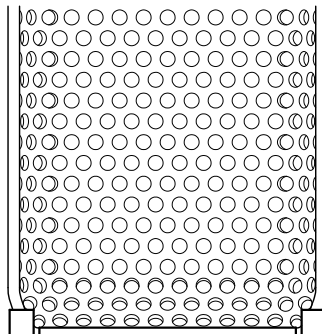




Star Trek is a Registered and Copyrighted Trademark of Paramount Pictures. All Rights Reserved. All subject matters referring to Star Trek are trademarks of Paramount Pictures.

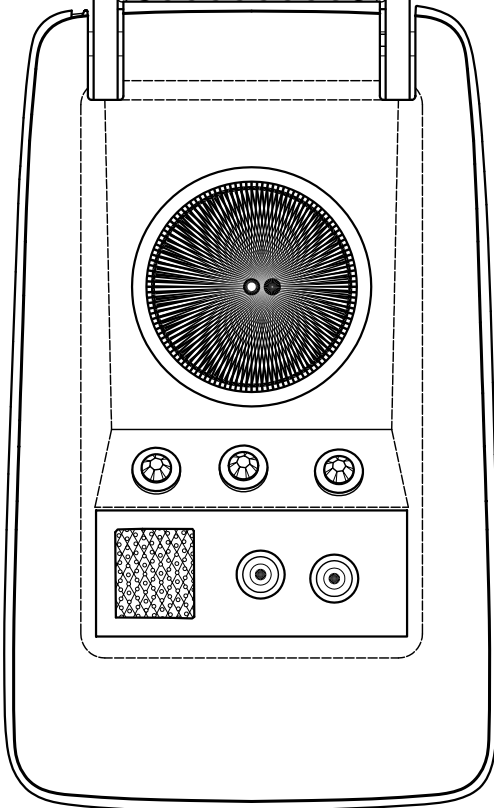
Authentic Communicator Blueprint Series - **Alpha Hero**



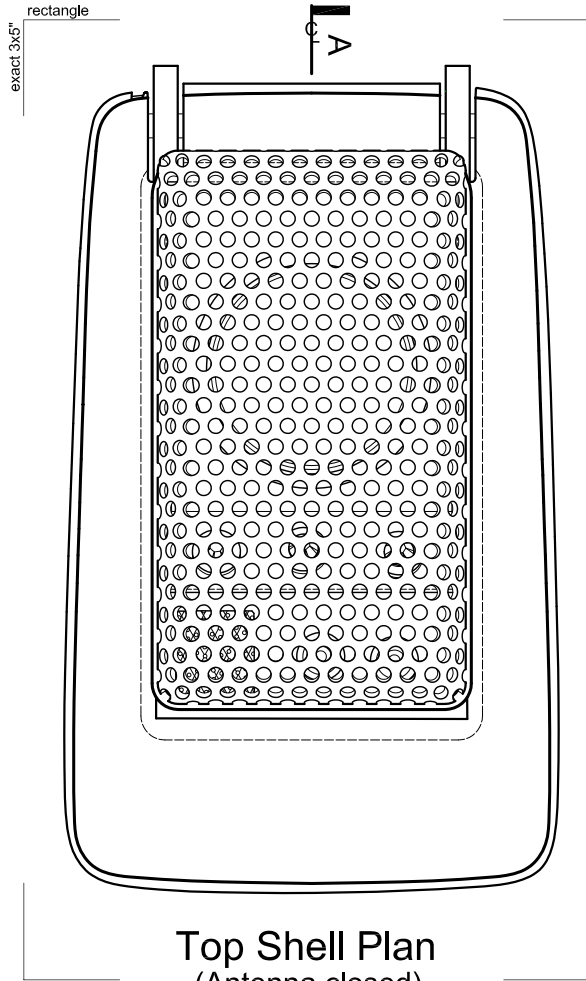
Maximum Dimensions (inches):

	L	W	H
Top Shell	4.12	2.48	0.48
Bottom Shell	4.12	2.48	0.37
Midplate	4.22	2.57	0.06
Overall Height	-	-	0.91

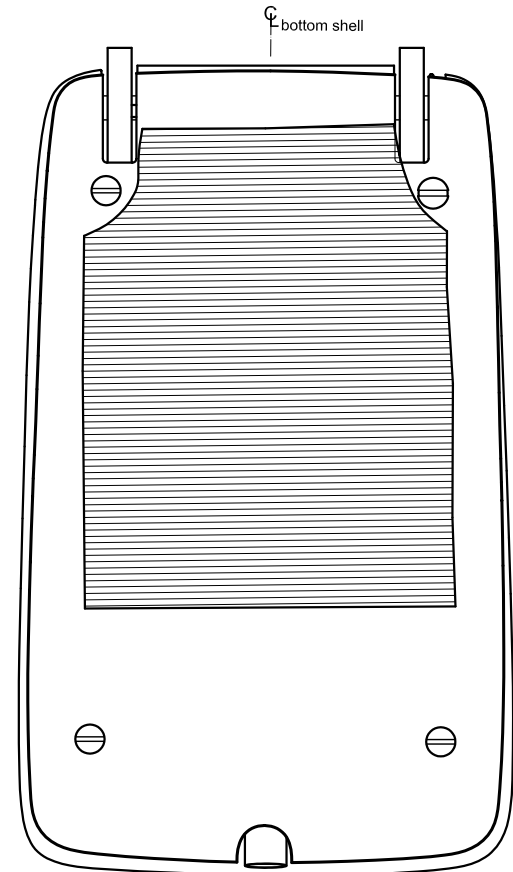
	L	W	H
Antenna	2.92	1.66	0.25
Control Panel	0.66	1.62	-
Velcro	±2.52	±1.92	-
Total Weight	116 grams / 4.1 oz.		



Top Shell Plan
(Antenna open)

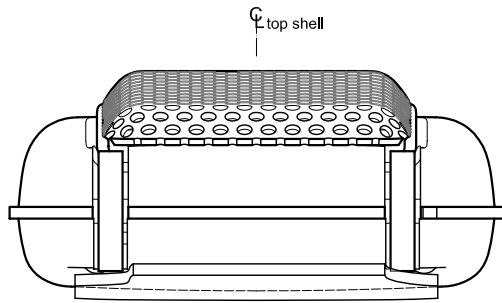


Top Shell Plan
(Antenna closed)



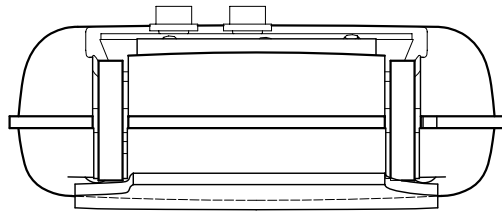
Bottom Shell Plan

Star Trek is a Registered and Copyrighted Trademark of Paramount Pictures. All Rights Reserved. All subject matters referring to Star Trek are trademarks of Paramount Pictures.

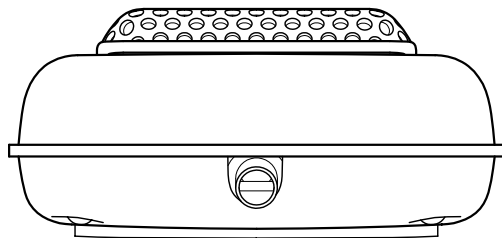


Rear Elevation

rectangle
exact 3x4"



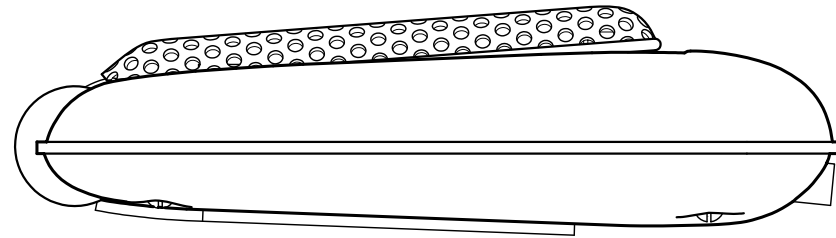
Rear Elevation
(Antenna omitted)



Front Elevation

top shell

check your
printer



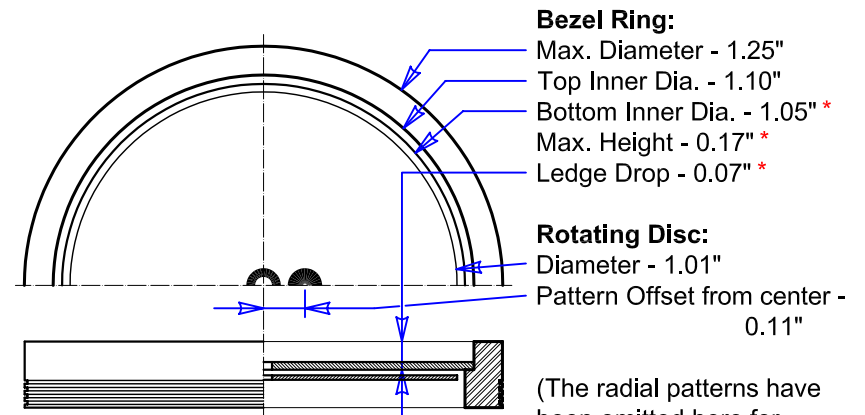
Side Elevation

Notes:

These drawings show the prop in its circa-1967 condition.

The control well's rounded "edges" on Page 2 shown by dashed lines are positioned where a significant angle change first becomes evident.

For material call-outs, additional photos and construction details, reference www.HeroComm.com.



Bezel Ring:

- Max. Diameter - 1.25"
- Top Inner Dia. - 1.10"
- Bottom Inner Dia. - 1.05" *
- Max. Height - 0.17" *
- Ledge Drop - 0.07" *

Rotating Disc:

- Diameter - 1.01"
- Pattern Offset from center - 0.11"

(The radial patterns have been omitted here for clarity.)

Moire Bezel Ring - Details
(2X full scale)

* Measurement needing final verification.

Star Trek is a Registered and Copyrighted Trademark of Paramount Pictures. All Rights Reserved. All subject matters referring to Star Trek are trademarks of Paramount Pictures.

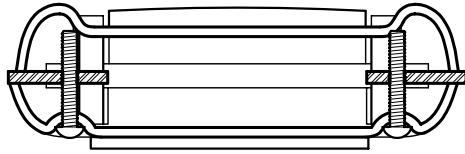
Swarovski Flatback Rhinestones:

Left: 16ss Violet AB (not avail.) - sub. w/ Lt. Amethyst AB

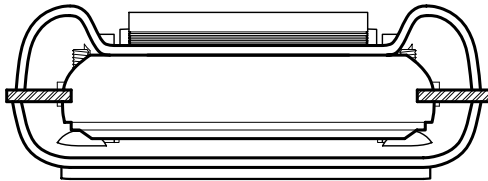
Center: 16ss Hyacinth

Right: 16ss Light Sapphire AB

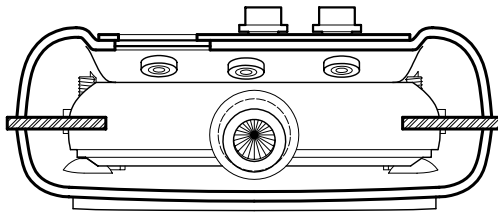
"AB" = Aurora Borealis coating



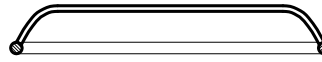
Section D-D



Section C-C

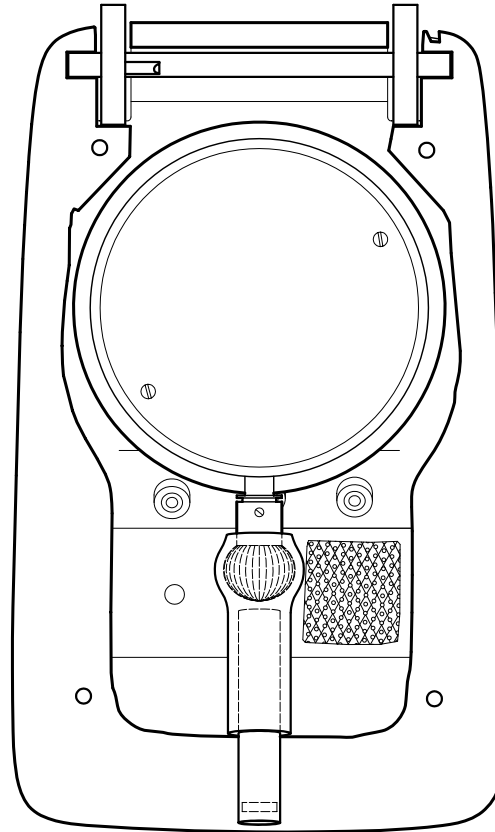


Section B-B



Antenna Section E-E

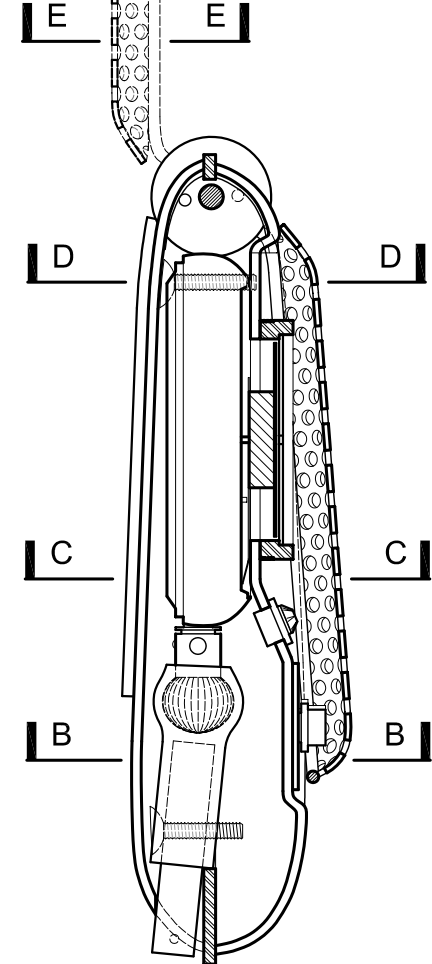
rectangle
exact 3x5"



Midplate & Top Shell -
Inverted Plan

check your
printer

Antenna opens to 0°
(parallel to midplate).



Section A-A
(Antenna shown in both
open and closed positions)

Star Trek is a Registered and Copyrighted Trademark of Paramount Pictures. All Rights Reserved. All subject matters referring to Star Trek are trademarks of Paramount Pictures.